

Pressed steel handwheels

for valves

SPECIFICATION

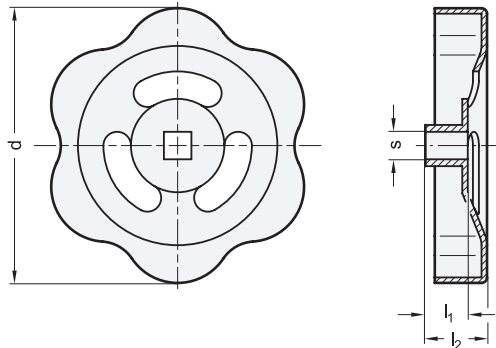
Pressed steel **ST**
 plastic coated
 black, RAL 9005, matte **SW**
 red, RAL 3000, matte **RT**
 zinc plated, blue passivated **ZB**

INFORMATION

Pressed steel handwheels GN 227.6 have been specially developed for valves and consists of **a single** unwelded piece of pressed sheet metal manufactured by a special process. They offer high mechanical strength and are not affected by shocks and knocks.

TECHNICAL INFORMATION

- ISO-Fundamental Tolerances (see page A21)



* Complete with colour index of the Handwheels (SW, RT or ZB)

SW
 RAL 9005

RT
 RAL 3000

ZB
 zinc plated

GN 227.6

Description	d	s0	s1	s2 ±0.1	l1 ±0.5	l2	No. of spokes	⚖
GN 227.6-ST-50-V6-*	50	V 6	5.9	6.15	8.5	12	3	22
GN 227.6-ST-50-V7-*	50	V 7	6.9	7.15	8.5	12	3	21
GN 227.6-ST-60-V6-*	60	V 6	5.9	6.15	8.5	12	3	31
GN 227.6-ST-60-V7-*	60	V 7	6.9	7.15	8.5	12	3	30
GN 227.6-ST-70-V7-*	70	V 7	6.9	7.15	10	15	3	70
GN 227.6-ST-70-V8-*	70	V 8	7.9	8.15	10	15	3	47
GN 227.6-ST-80-V8-*	80	V 8	7.9	8.15	11	16	3	61
GN 227.6-ST-80-V9-*	80	V 9	8.9	9.15	11	16	3	57
GN 227.6-ST-90-V9-*	90	V 9	8.9	9.15	11	16	3	76
GN 227.6-ST-100-V9-*	100	V 9	8.9	9.15	13	20	3	100
GN 227.6-ST-100-V10-*	100	V 10	9.9	10.15	13	20	3	101
GN 227.6-ST-130-V12-*	130	V 12	11.9	12.15	15	23	3	70

Weight type SW

